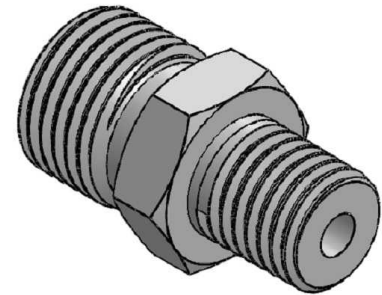
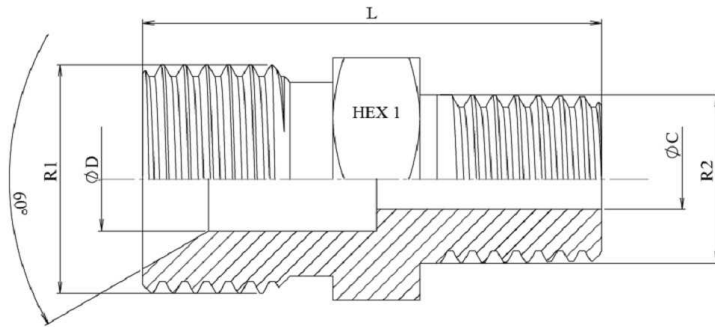


Reducer adaptor BSP male (60°)-BSPT male

Carbon steel

1/1

Part n°	R1	R2	L	HEX 1	ØC	ØD
A10220406	1/4" BSP	3/8" BSPT	32	17	8	6
A10220604	3/8" BSP	1/4" BSPT				
A10220608	3/8" BSP	1/2" BSPT	38	22	12	8
A10220612	3/8" BSP	3/4" BSPT	40	27	16	8
A10220804	1/2" BSP	1/4" BSPT	37	22	6	11
A10220812	1/2" BSP	3/4" BSPT	42	27	16	11
A10221216	3/4" BSP	1" BSPT	50	36	22	16
A10221612	1" BSP	3/4" BSPT				
A10222016	1"1/4" BSP	1" BSPT	56	46	22	28,5
A10222432	1"1/2" BSP	2" BSPT	63	60	46	33